

ASSEMBLY & INSTALLATION NOTES

JUBU brake cooling rear axle - Road & Track

for Emira V6

Please follow the instructions in this manual for a proper assembly & installation of the JUBU brake cooling front axle - Road & Track.

Please find in this document:

1. PART LIST
2. ASSEMBLY & INSTALLATION NOTES

1. PART LIST for product JU0007PRD

#	ITEM	ART-NO.	UNITS
1	Brake cooling duct Road & Track Emira rear axle right	JU00334ART	1
2	Brake cooling duct Road & Track Emira rear axle left	JU00333ART	1
3	Cable ties (HD) 7.5x360	-	6



Fig 1: Scope of delivery

2. ASSEMBLY & INSTALLATION NOTES

1. Please mount the brake cooling ducts (1 & 2) as shown on Fig. 2 and Fig. 3. Use the supplied cable ties.

⚠ NOTE: Don't over tighten the cable ties.

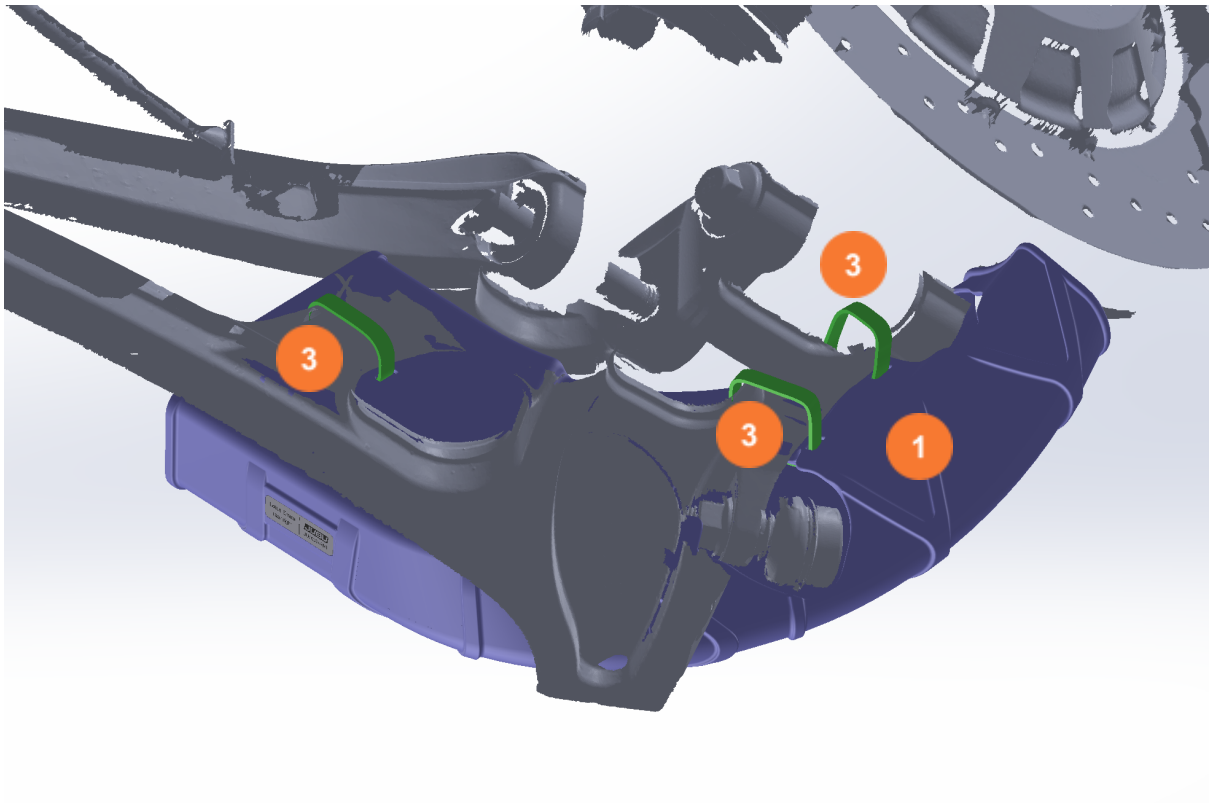


Fig. 2: Correct assembly and placement of the Cable ties (rear right) (I)

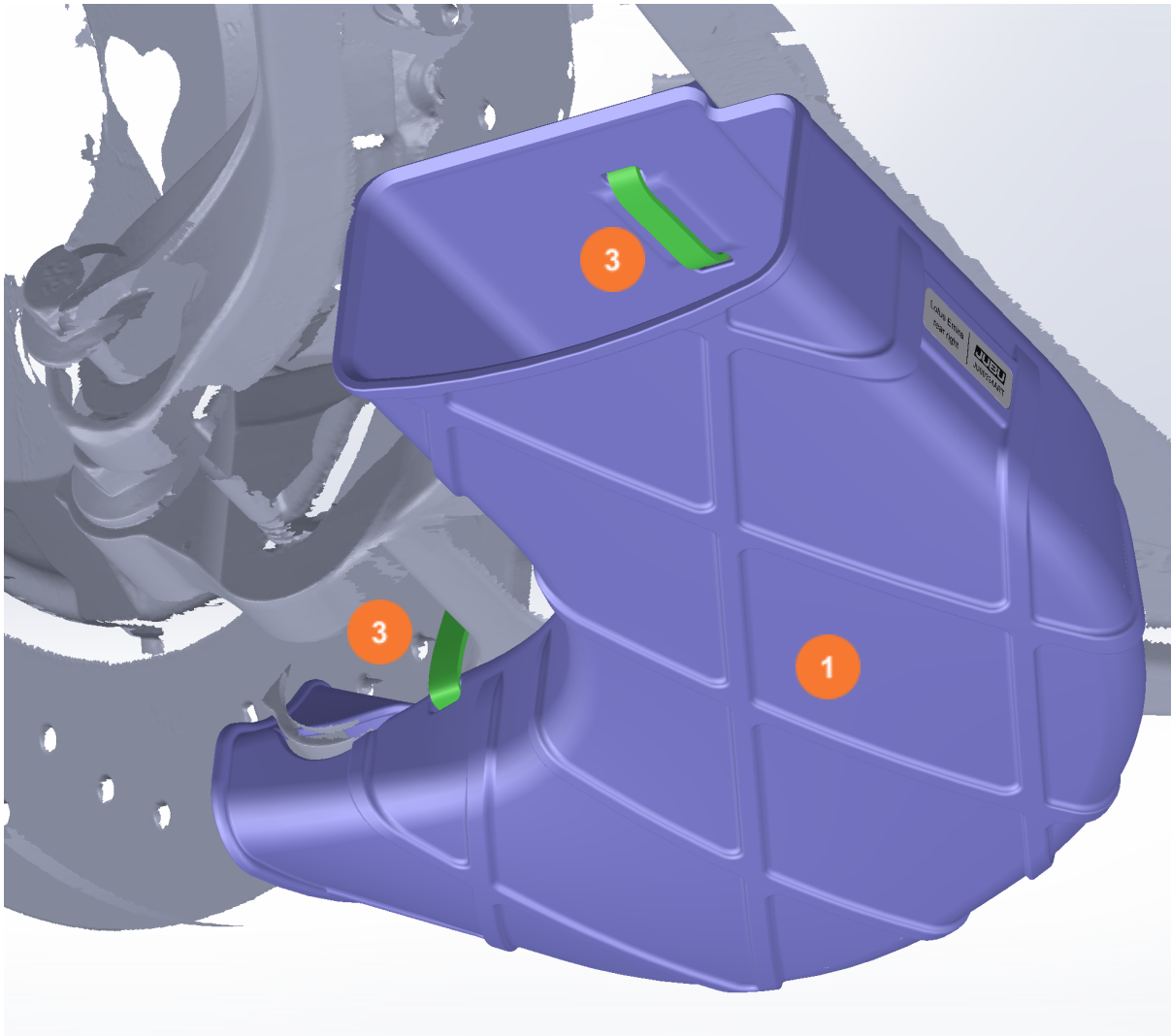


Fig. 3: Correct assembly and placement of the Cable ties (rear right) (II)

If you have any questions or need additional information, please contact us by email:

info@jubu-performance.com

JUBU Performance GmbH

Saxenegg 3a, 4323 Münzbach, AUSTRIA