

## ASSEMBLY & INSTALLATION NOTES

### JUBU upgrade belt drive pulley kit (JU00199PRD)

for Evora & Emira 7PK & 8PK

Please follow the instructions in this manual for a proper assembly & installation of the JUBU upgrade belt drive pulley kit 7PK & 8PK for Evora & Emira.

Please find in this document:

1. PART LIST
2. ASSEMBLY & INSTALLATION NOTES

#### 1. PART LIST for product JU00199PRD

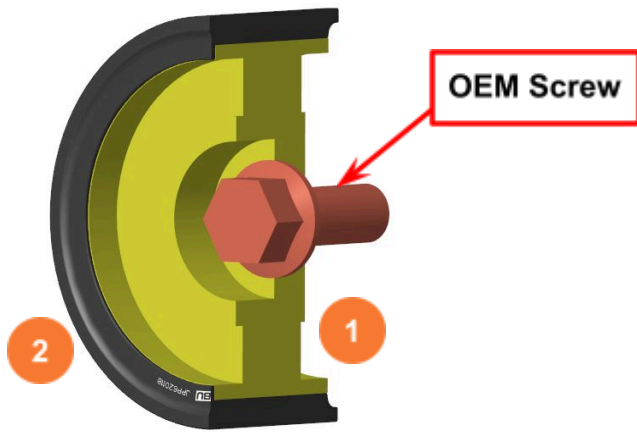
#	ITEM	ART-NO.	UNITS
1	Upgrade pulley bearing	JU00055ART	3
2	Upgrade pulley sleeve 7PK & 8PK	JPP620118	3
3	Upgrade pulley spacer 7PK & 8PK	JPP620144	1
4	DIN 912 M10x1.25x25 head cap screw	-	1
5	DIN 125 M10 washer	-	1

Note: The Upgrade bearings (1) and the Upgrade pulley sleeves (2) are pre-assembled according to Fig 2, Fig 3 and Fig 4.



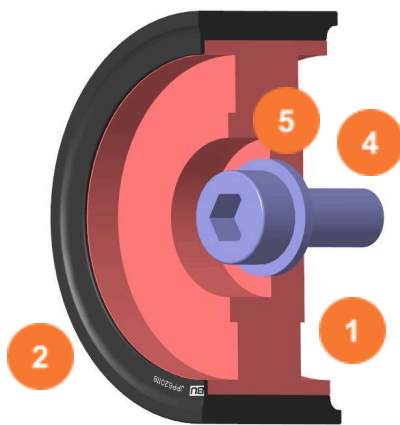
Fig 1: Scope of delivery

**(I) Engine mounted pulley 1**



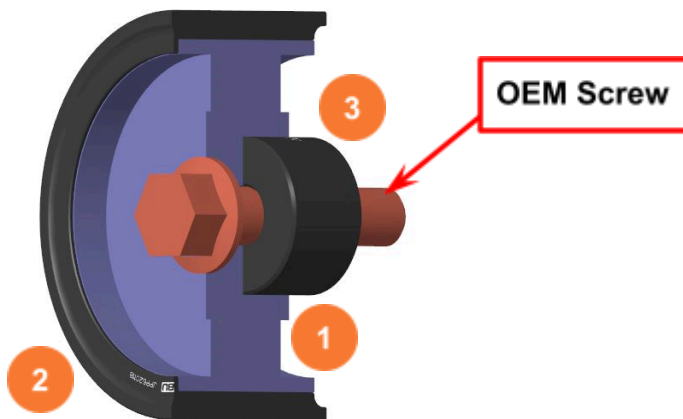
*Fig 2: Engine mounted pulley 1*

**(II) Engine mounted pulley 2**



*Fig 3: Engine mounted pulley 2*

**(III) Tensioner pulley**



*Fig 4: Tensioner pulley*

## 2. ASSEMBLY & INSTALLATION NOTES

1. Disassemble the OEM engine mounted pulley and belt tensioner pulley.
2. Fit the pre-assembled engine-mounted pulley 1 (I) onto the engine as shown in Fig. 5 by using the OEM screws. Use OEM torque (43Nm) and *LOCTITE 243* locking lacquer.
3. Fit the pre-assembled engine-mounted pulley 2 (II) onto the engine as shown in Fig. 5 by using the M10x1.25x25 head cap screw (4) with the M10 washer. (5) Use 43Nm and *LOCTITE 243* locking lacquer.
4. Fit the pre-assembled belt tensioner pulley (III) onto the belt tensioner as shown in Fig. 5 using the OEM screws. Use the OEM torque (43Nm) and *LOCTITE 243* locking lacquer.
5. **⚠ NOTE:** These Pulleys can be used for 7PK and 8PK belt systems, the belt might not run in the center of the pulley.



Fig 5: Correct assembly of the upgrade belt drive pulleys.

\*\*\*\*\*

If you have any questions or need additional information, please contact us by email:

[info@jubu-performance.com](mailto:info@jubu-performance.com)

**JUBU Performance GmbH**

Saxenegg 3a, 4323 Münzbach, AUSTRIA