

ASSEMBLY & INSTALLATION NOTES

JUBU brake cooling front axle Track & Race

for Exige S / 350 / 380

Please follow the instructions in this manual for a proper assembly & installation of the JUBU brake cooling front axle Track & Race.

Please find in this document:

1. PART LIST
2. ASSEMBLY & INSTALLATION NOTES

1. PART LIST for JU00079PRD

#	ITEM	ART-NO.	UNITS
1	Brake cooling Exige S/350/380 inlet right	JU00117ART	1
2	Brake cooling Exige S/350/380 inlet left	JU00118ART	1
3	Brake cooling Exige outlet right	JU00121ART	1
4	Brake cooling Exige outlet left	JU00122ART	1
5	Air hose (length 1050mm)	-	2
6	Hose clamp	-	4
7	Bodywork adhesive	-	1
8	Mounting material for the air hoses	-	1



Fig 1: Scope of delivery

2. ASSEMBLY & INSTALLATION NOTES

1. De-install the front middle mesh
2. Drill or cut a hole with a minimum diameter of $\text{Ø}66\text{mm}$ into the crashbox. Position is shown in *Fig 1*.

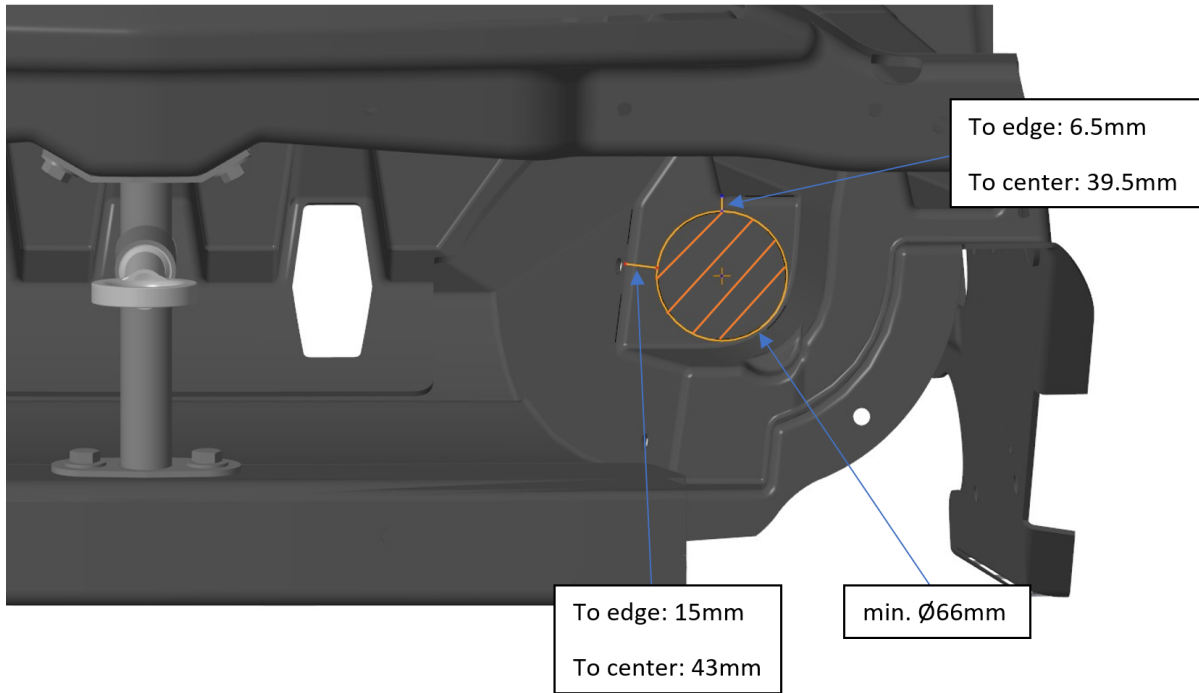


Fig 1: $\varnothing 66\text{mm}$ hole position (crashbox).

3. If the brake cooling inlets (2) fit well apply bodywork adhesive (7) on the red marked surface as shown in Fig 2.

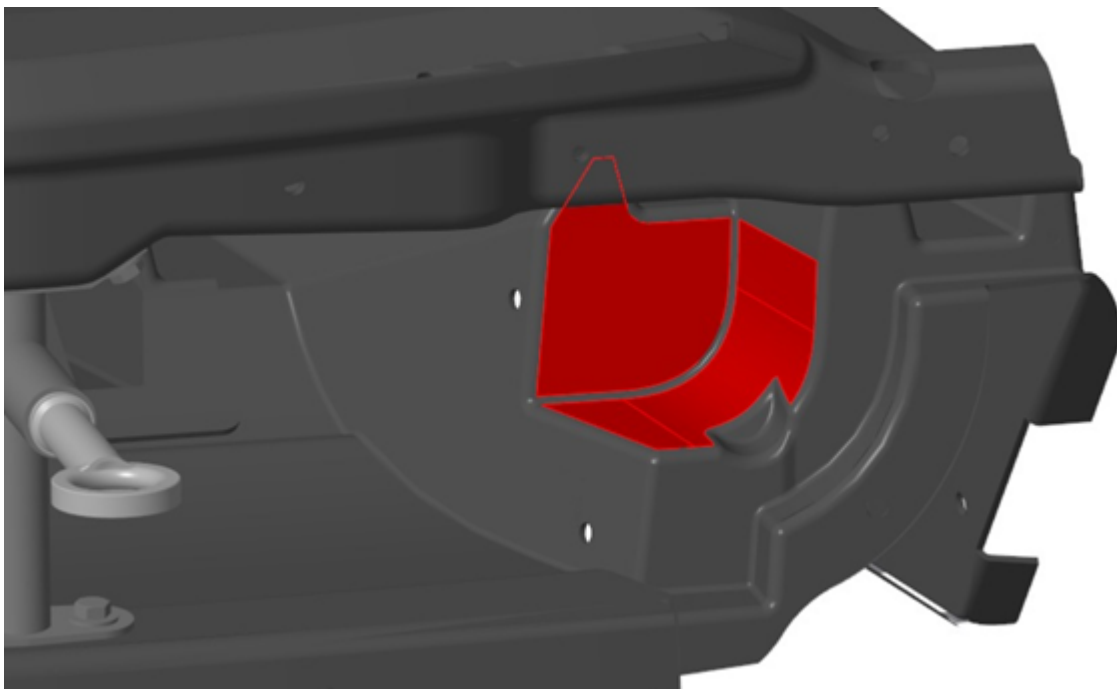


Fig 2: Bodywork adhesive is applied on the red marked surface

4. Check alignment of the left air inlet (2) and glue the inlet into the crashbox

! **NOTE: The bodywork adhesive needs at least 90 minutes curing time.**

5. The same procedure for the right air inlet (1).

- Outlet snorkels (3 & 4) are bolted on the upright. Use the OEM bolts of the wheel bearing. Tighten them with 90 Nm and secure them with *LOCTITE 243 screw locking lacquer*.

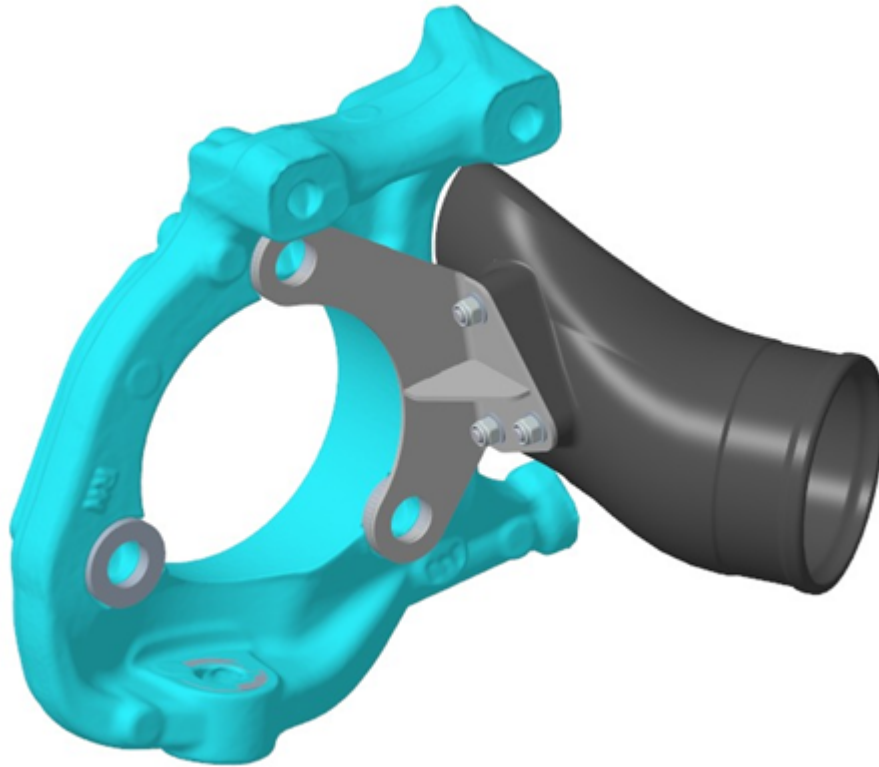


Fig 3: Bolting the air-outlets (3 & 4) on the upright

- In the last step the inlets (1 & 2) and the outlets (3 & 4) are connected via the air hoses (5) as shown in Fig 5 and Fig 6.



Fig 4: Air Hoses laying (5)



Fig 5: Air Hoses laying (5)

8. The Air hoses are now fixed on the inlets and the outlets with the hose clamps which are tightened with 5Nm.
9. Secure the air hoses to the chassis by using the supplied mounting material.(cable ties and small plastic mounting brackets)

NOTE: Double check FULL steering angle and the laying from the hoses to outlets! A too short radius can destroy your outlets !

If you have any questions or need additional information, please contact us by email:

info@jubu-performance.com

JUBU Performance GmbH

Saxenegg 3a, 4323 Münzbach, AUSTRIA